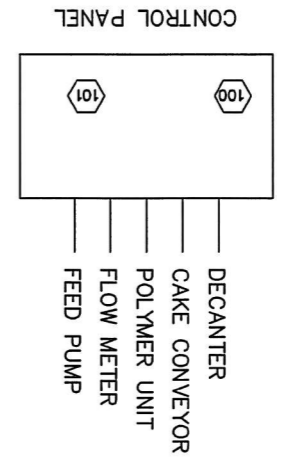
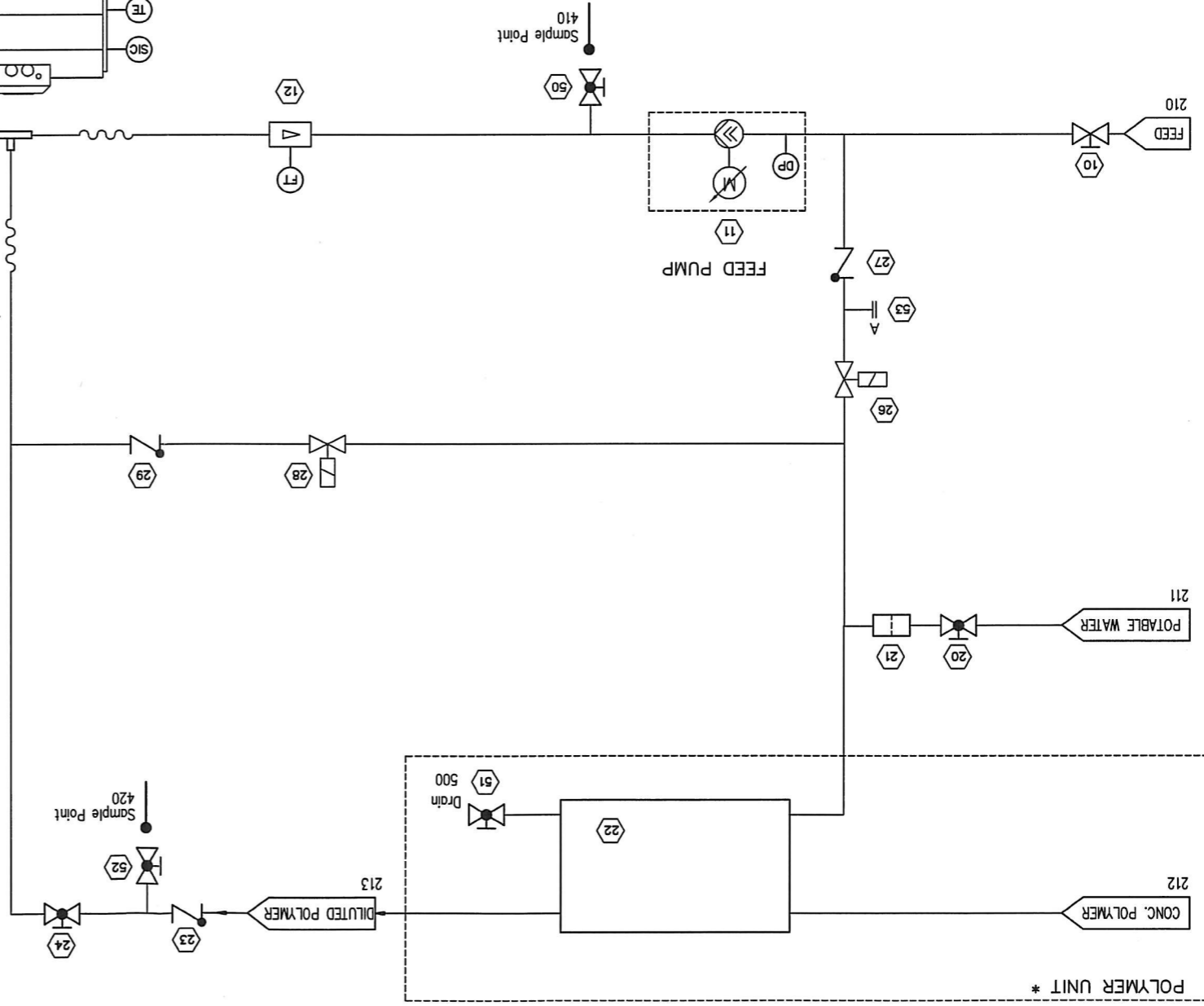
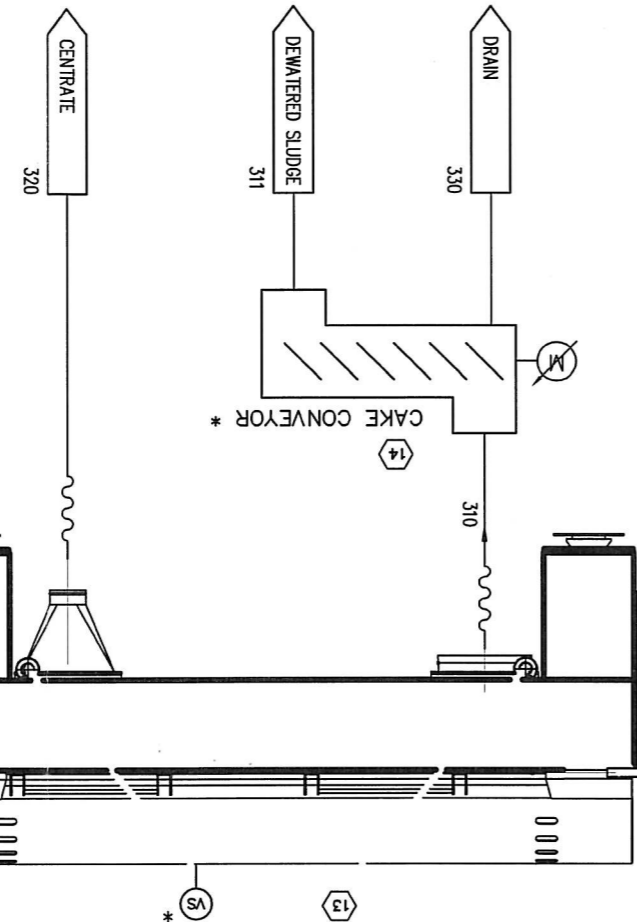


61298572 03		Date: 14.07.04	
Project no. 61298572		Drawing no. 03	
Project name: ALSYS ALDEC 20 & 30		Scale: 1:10	
Project type: P & I DIAGRAM		Method E or DS/EN 22768-M	
Title: P & I DIAGRAM		Dimensions without tolerances: Mils Level Copenhagen A/S DENMARK	
Rev.	Date	Rev.	Date
03	15.09.2005	02	14.12.2004
JHP	PLE	JHP	PLE
02	14.12.2004	01	05.11.04
JHP	PLE	JHP	MWR
01	05.11.04	00	14.07.04
JHP	PLE	JHP	CG



FOR ELECTRICAL CONNECTION SEE CONNECTION BOX DRAWINGS

- SOLENOID OPERATED VALVE
- NON RETURN VALVE
- GATE VALVE
- BALL VALVE
- PRESSURE REDUCING VALVE
- SCREW PUMP
- MOTOR
- FLOWMETER
- STRAINER
- FLEXIBLE CONNECTION
- DRY RUNNING PROTECTION
- FLOW TRANSMITTER
- SPEED INDICATOR
- TEMPERATURE ELEMENT
- VIBRATION SWITCH

xx REFERING TO CONNECTIONS LIST
 xxx REFERING TO COMPONENTS LIST
 * OPTIONAL EQUIPMENT
 A: Possible connection for adding polymer
 in front feed pump.

This document and its contents are our exclusive property and are not to be reproduced, stored in a retrieval system, or transmitted in any form or by any means, electronic, mechanical, photocopying, recording, or by any information storage and retrieval system, without our prior written permission.

Only in the event of an emergency may a copy be made of this drawing for the purpose of a construction or repair.